



STRETCH WRAPPER
MODEL: CSA 975

CSA 975 Best Performance

High performance rotating arm machine for wrapping pallets with a stretch film. Reliable, robust construction.

Technical Characteristics

Conveyor height	500 mm
Maximum rotation speed	25 rpm LS - 30 rpm HS - 34 rpm HD
Total power installed - CST 955	3,5 Kw - 4,5 Kw with Top
Total power installed - CST 965	4,5 Kw - 5,5 Kw with Top
Standard power supply	400 V - 50 Hz - 3 PH+N+G
Protection on electric system & motors	IP 54
Operating pressure	6 bar
Max rotation speed	25 rpm (csa 955), 28 rpm (csa 965)

Product Dimensions

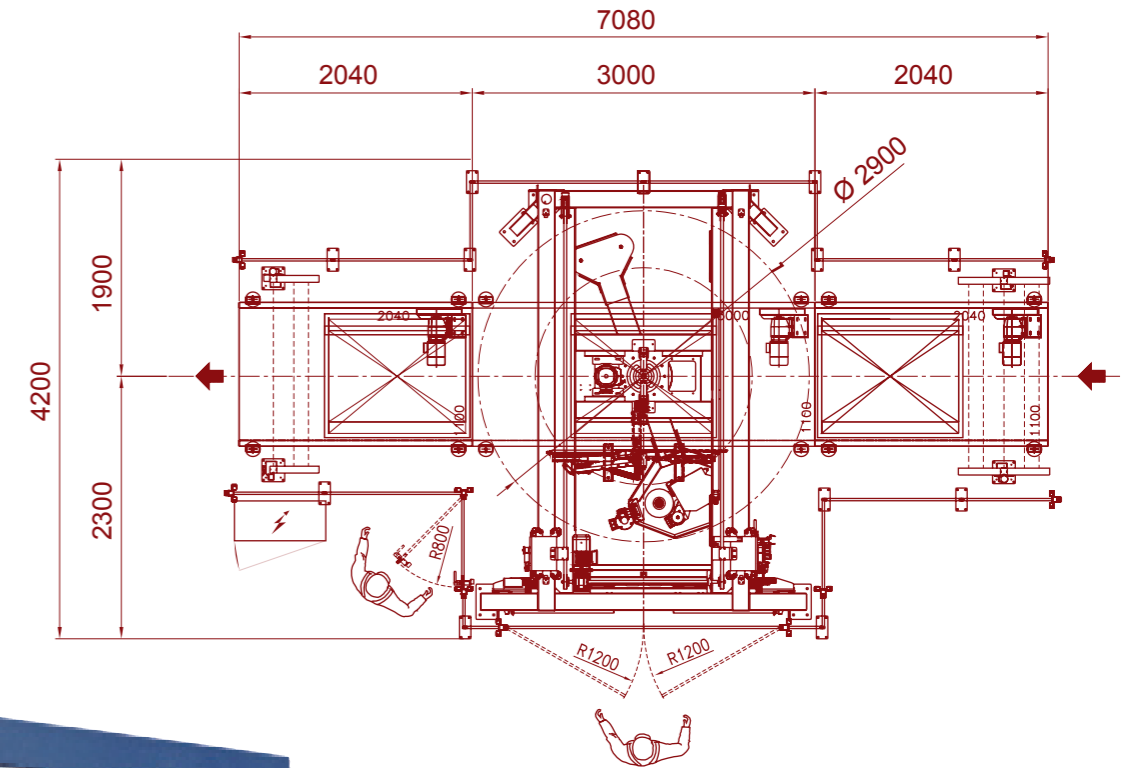
Max pallet dimensions	1100 x 1300 mm
Min pallet dimensions	600 x 600 mm
STD pallet height	2200 mm
Wrapping capacity pallets/h	75 pallet/h

Save your Money



Motorized pre-stretch system with 3 driven rollers electronically controlled with interchangeable ratios: 150 - 200 - 250%.

- Optionals
- Acid protection.
 - For loads up to 3300 mm high.
 - Pallet holder presser.
 - Corner applicator.
 - Clamp cut and tuck for threading the stretch film tide inside the wrap.
 - Roping system.
 - Top cover.
 - Pallet lifter.
 - Extended arm for bigger loads.



Control panel equipped in a standard version with a touch-screen operator Display.



WWW.CYKLOP.NL
+31 384675800

CYKLOP Nederland BV
Benjamin Franklinstraat 5
8013 NC Zwolle
info@cyklop.nl

