

# CM 100 H

THERMAL INKJET PRINTER

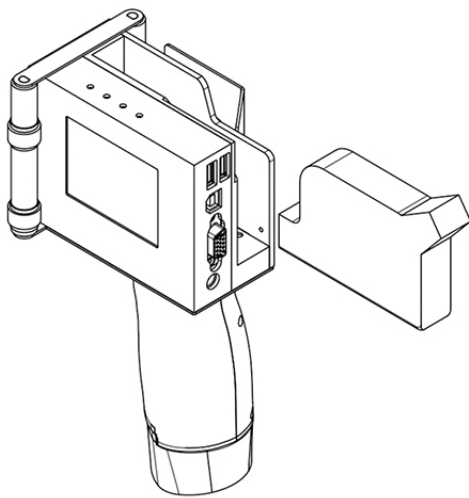


The CM 100 H is a manual coding system based on HP technology. The device is completely wireless and works on a battery. This allows you to code anywhere. The CM 100 H prints text, logos, variable data and barcodes on porous and non-porous surfaces. The information can be set via bluetooth, USB or the wireless keyboard.

The coding system can store up to 100 messages and can be password protected. The ink cartridges are easy and quick to change.

**Advantages**

- Mobile: print anywhere, wherever you want
- Rapidly exchangeable HP ink cartridge
- 2.8" 256K color LCD display
- Up to 12.7 mm print height
- Max. 6 print lines, up to 150 characters per line
- High resolution
- Print speed max 76 meters / min
- Data transfer via bluetooth, USB 2.0 or wireless



Technical data	
Print technology	Thermal Inkjet
Print height	Up to 12,7 mm
Print speed	Up to 76 m/min at 300 x 300 dpi
Resolution	Max 300 x 300 dpi
Dimensions (L x W x H)	198 x 92 x 108 mm
Display	2.8 inch 256K color TFT LCD display
Battery	10.8 V, 1.5 Ah (1500 mAh)
Ink	Water and solvent
Environment temperature	5° to 50° C