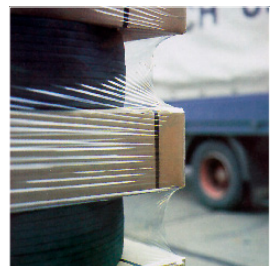


STRETCH WRAPPING TECHNOLOGY

Stretch film wrapper GL Robot
Stretch wrapping – the efficient method to
secure stacked pallet loads.



GL Robot

Benefits The GL Robot is a mobile stretch wrapper. The handle, with powered control buttons, allows easy transportation of the wrapper to the package. Replacing of the film roll is easy and fast with the (optional) flip-open stretch unit. Wrapping operation by simple touch controls. This modular machine is suitable for both light and heavy use.

Technical data

Machine	Supply	battery 110 AH, 24 V (2 x 12 V)
	Charger	230 V, ca. 1 kW
	Capacity	150 pallets per battery charge, depending on wrapping program.
	Weight	325 kg
	Speed	max. 90 mtr./ min
	Pre-stretch	option 1) mechanical brake, 2) electrical brake, 3) motorized 150 - 200 - 250%

Machine function

- infinitely variable speed turntable
- infinitely variable speed film carriage
- number of adjustable upper and lower windings
- pallet height sensing
- up and down winding
- rainproof program
- manual: - turntable speed, - film carriage up and down

Pallet load

Length/ Width,	min. 600 x 600, max. unlimited
Pallet height	2,1 mtr
Pallet weight	unlimited

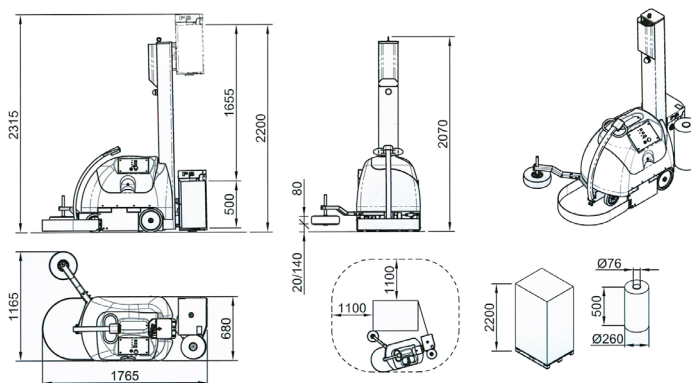
Stretch film

Material	LLDPE (Cyklop stretch)
Width/ Diameter	500 mm/ max. 250 mm
Thickness	17 - 30 µ
Core diameter	76 mm
Weight	max. 18 kg

Options

- mast extension 2,4 mtr. and 2,8 mtr.
- photo cell for black film.
- double guide wheel
- pre-stretch unit with mechanical brake
- pre-stretch unit with electric brake
- pre-stretch unit with motorized pre-stretch

Dimensions



GL 201



GL 211-212



GL Robot



GL 215



GL 300



GL 400

Subject to changes

Cyklop Nederland BV
Postbus 551
8000 AN Zwolle
Benjamin Franklinstraat 5
8013 NC Zwolle

Tel.: 038 - 467 58 00
Fax: 038 - 467 58 39
homepage: www.cyklop.nl
e-mail: info@cyklop.nl

CYKLOP
INTERNATIONAL

THE
STRAPPING
COMPANY

Versie 01/2011