



CSM 212

STRETCH WRAPPER

CYKLOP[®]
GLOBAL PACKAGING SOLUTIONS

STRAPPING
WRAPPING
CODING
TAPING

The CSM 212 is a flexible mobile film wrapper. The wrapper can be moved to any desired location by means of a handle with operating buttons. The wrapper can handle any package size due to the flexible nature. Changing the film is very easy and fast on the film trolley. Operation is easy with touch keys. Because the machine is modular, the machine is suitable for both light and intensive use.

Most important features:

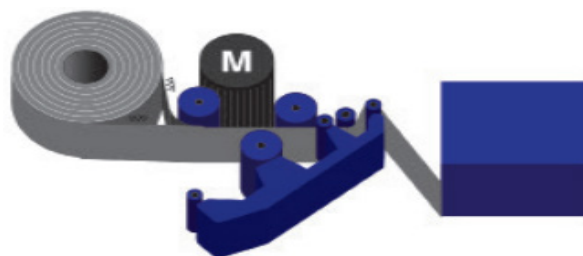
- Standard 4 wrapping programs
- Adjustable speed
- Adjustable film trolley speed
- Adjustable number of lower and upper windings
- Pallet height detection
- Wrapping up and down

Options:

- Extended mast
- Automatic cutting unit
- Expansion to 99 wrapping programs
- Other options on request



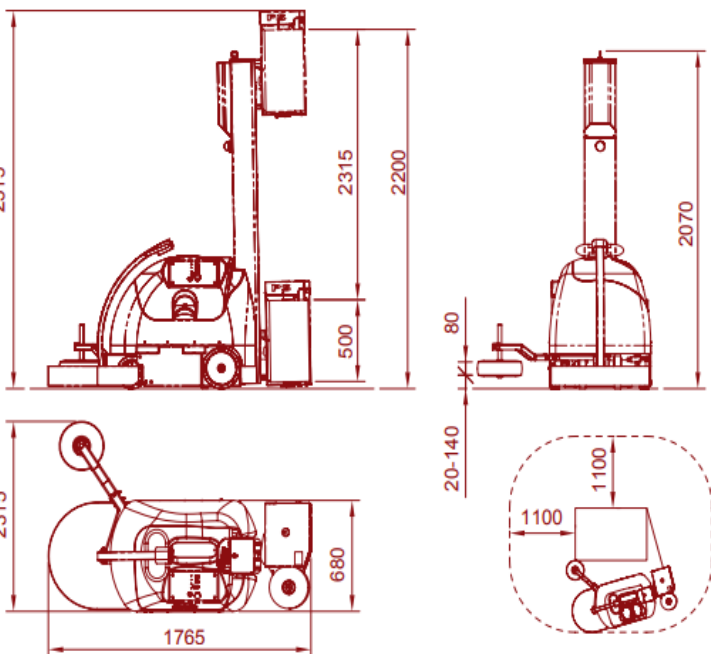
> [Click here for a video of the CSM 212](#) <



Pre-stretch system by fixed gear ratios. Adjustable to 150%, 200% and 250%.

Technical data:

Machine weight	325 kg
Wrapping height	2100 mm
Max. Prod. capacity	20 pallets/hour 150 pallets per battery charge
Speed	60 meter/minute
Min. pallet dimensions	600 x 600 mm
Power supply	230 V, 50/60 Hz



Cyklop International
 Industriestraße 133, D-50996 Köln
 (Rodenkirchen)
 Postfach / P.O. Box 50 12 20,
 D-50972 Köln (Rodenkirchen)

+49 (0) 2236 6020
www.cyklop.com
info@cyklop.com

