



CST 110

STRETCH WRAPPER

CYKLOP[®]
GLOBAL PACKAGING SOLUTIONS

STRAPPING
WRAPPING
CODING
TAPING

The CST 110 is the entry level stretch wrapper from Cyklop. The machine is ergonomically very suitable as a substitute for manual wrapping, which is often heavy and strenuous. The machine is standard supplied with a Ø 1500 mm turntable. The film trolley is equipped with a photocell that automatically detects the height of the load and the film tension can be adjusted manually by means of a mechanical brake.

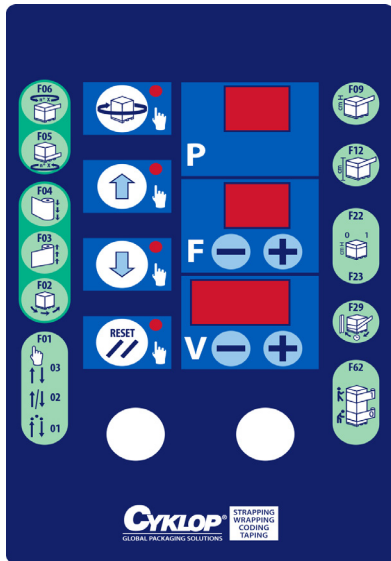
Unique to this machine is the special program which makes changing of the film roll easy. The film trolley goes to one set height where the operator can change the film roll easily and ergonomically.

Options:

- Larger turntable, Ø 1650 mm
- Photocell for dark loads
- Loading ramp (for pump truck, forklift)
- Roping (load to be secured on the pallet)
- Other options on request



> [Click here for a video of the CST 110](#) <



Technical data	
Turntable	Ø1500 mm
Wrapping height	2200 mm
Speed	12 rpm
Max. load	1500 kg
Max. pallet dimensions	800 x 1200 mm
Turntable height	75 mm
Film trolley	Mechanical brake
	Adjustable film tension
	Photocell for height detection
Film	Width 500 mm, core 76 mm
Power supply	230 V, 50/60 Hz, 0,75 KW

Cyklop International
 Industriestraße 133, D-50996
 Köln (Rodenkirchen)
 Postfach / P.O. Box 50 12 20,
 D-50972 Köln (Rodenkirchen)

+49 (0) 2236 6020
www.cyklop.com
info@cyklop.com

