



CTT 230

PALLET WRAPPER

CYKLOP[®]
GLOBAL PACKAGING SOLUTIONS

STRAPPING
WRAPPING
CODING
TAPING

The CTT 230 is a turntable wrapper, suitable for stabilizing up to 15 to 20 pallets per day with wrapping film. With this type of pallet wrapper, the product is placed on a turntable, the disc rotates and wraps the film around the product to stabilize the load. The machine is easy to move, with the help of a forklift truck, the pallet wrapper can quickly be placed somewhere else.

The CTT 230 is easy to operate: the operator places the pallet on the turntable, sets the wrapping program, attached and cuts the film when the pallet is wrapped. The touch display is easy to operate and to "lock". A sensor automatically detects the load height up to a maximum height of 2,200 mm. The CTT 230 is a high-quality Swedish machine that can easily be upgraded with various options (see below).

Cost saving

The unique "ecostretch" pre-stretch system can achieve a pre-stretch of up to 300%. So from 1 meter of film 4 meters of film is made, which can result in a cost and environmental saving of up to 65%. In this way the CTT 230 quickly pays for itself.

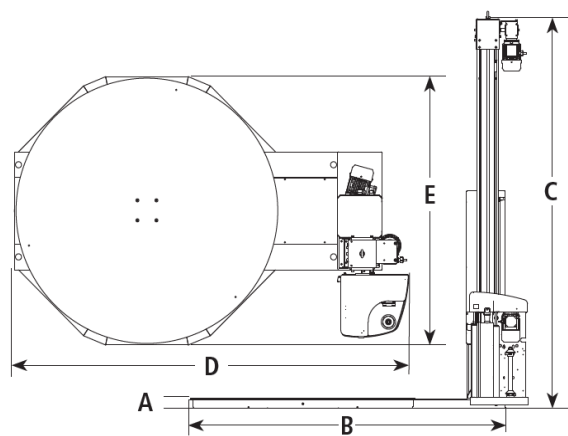
The pre-stretch rollers in the foil carriage are motor-driven. As a result, even (very) light and vulnerable pallets can be stably wrapped at a low cost per pallet.

Options:

- Larger turning table
- Extended mast
- Access ramp (for hand manouvered fork lift)
- Integrated scale
- Freezer version
- Other options on request



[< Click for a video of the CTT 230 >](#)



Dim (mm)	A	B	C	D	E
Standard	73	2305	2800	2475	1660

Dimensions CTT 230

Technical specifications:	
Turning table	Ø1650 mm
Max. pallet dimensions (LxWxH)	1,200 x 1,000 x 2,200 mm
Max. pallet weight	2,000 Kg
Speed	up to 12 rpm
Pre-stretch	30% - 300%
Stretch wrapping programs	4 adjustable programmes
Start / Stop	Frequency controlled
Film	Core 76 mm
	Outer diameter 250 mm
	Width 500 mm
Protection	IP54
Control	PLC
Power	200-240 V / 50-60 Hz / 1 phase / 10 A
Weight	380 Kg

Cyklop International
 Industriestraße 133,
 D-50996 Köln
 (Rodenkirchen)
 Germany

+49 2236 6020
www.cyklop.com
info@cyklop.com

