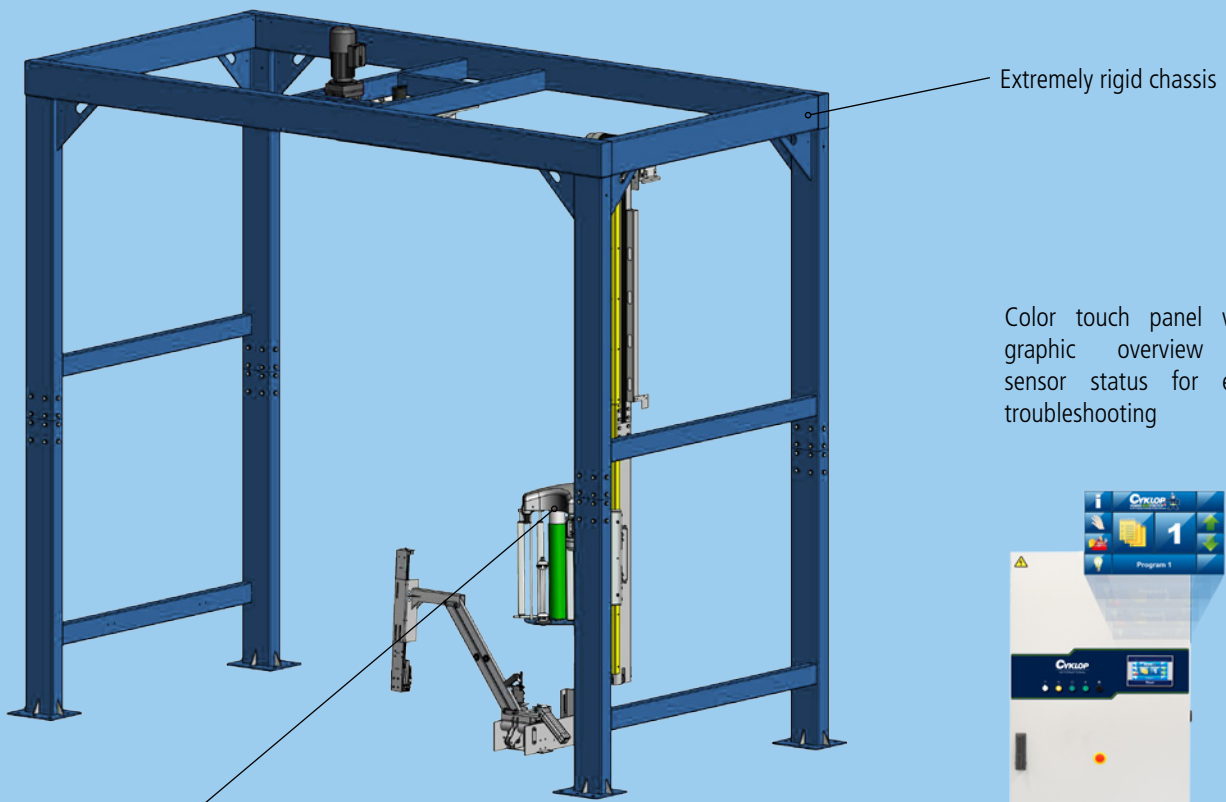


Fully Automatic Arm Wrapper
CTA 1100



ARM WRAPPER CTA 1100

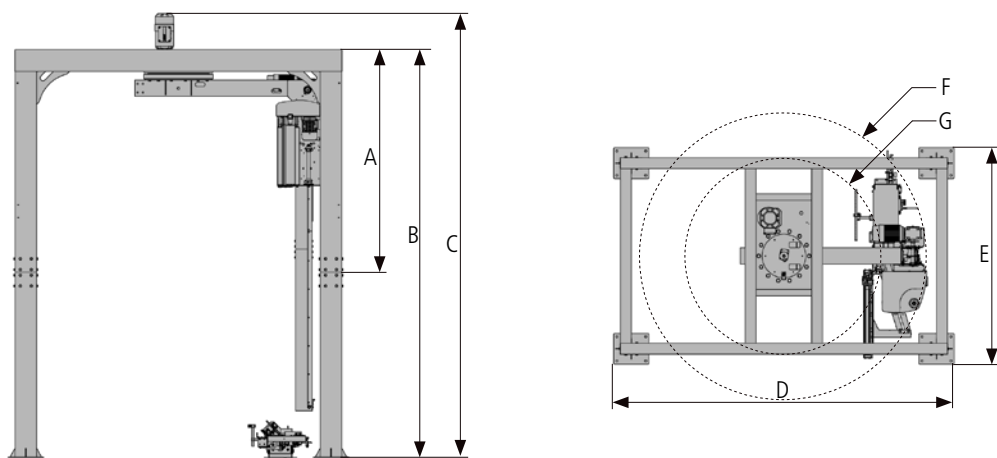
Specification and dimensions



Cyklop's patented **POWER ECOSTRETCH⁺** with adjustable prestretch system in eight steps up to 400%



Standard



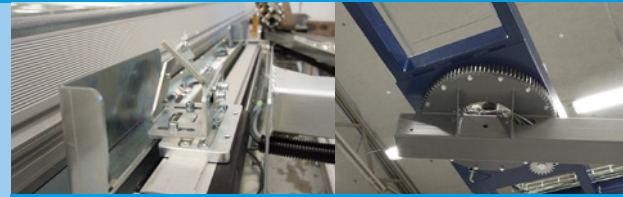
Dim (mm)	A	B	C	D	E	F	G
Standard	2040	3740	4070	3130	1990	Ø 2700	Ø 1800
Crated dimensions std machine: tba							

ARM WRAPPER CTA 1100



Machine	Capacity	Up to 75 pallets/h*
	Pre-stretch system	POWER ECOSTRETCH⁺
	Pre-stretch	60, 100, 130, 160, 200, 280, 340 or 400 % adjustable
Power	Supply	3 x 400 V + N + PE, 50 Hz
	Load	2,5 kW
	Fuse	16A
	Protection	IP54
Pneumatic	Supply	6 bar, approx. 12NL/cycle
Stretch film	Diameter, core	76 mm
	Max outer diameter	250 mm
	Max film width	500 mm
	Film thickness	9-35 my
Operating temperature	5°C (40°F) to 35°C (95°F) for use in a dry, tempered area.	

*) When applying max 10 wraps of film and with 8 seconds in transit time.

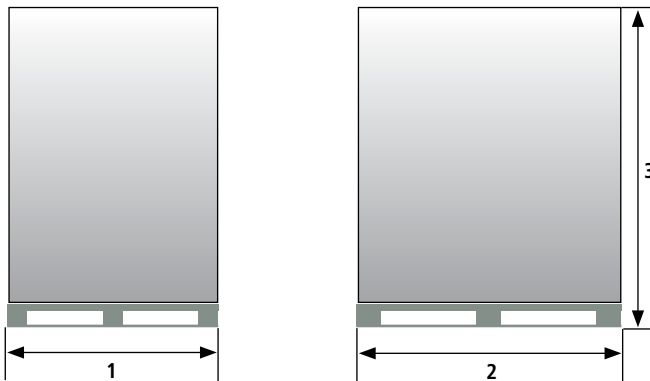


Selected options

- Rust proof chassis
- Custom color
- Format control = detects and positions the pallet
- Separate electrical cabinet
- Lightbeams
- Custom chassis
- Welding unit
- Air conditioned electrical cabinet
- Control of conveyors
- External communication with the machine through eWon**
- Network communication

Most options and accessories can be ordered for after market fitting. As a result of our strive to improve our products, the information and specifications are subject to change without prior notice.

Load handling



Dim (mm)	1	2	3	Weight
Max	1200	1200	2500***	Depending on conveyor
Min	400	400	600***	

***) At conveyor height 300 mm.

***) Make changes to a machine from anywhere in the world!



Install our eWON option and monitor the machine remotely by various interfaces such as LAN, WiFi or 3G. This is done through the eWON Flexy modular router. Equip the router with one or several communication modules depending on what communication possibilities are available at the customers facility.

Arm Wrapper CTA 1100

The Cyklop fully automatic arm wrapper system CTA 1100, eliminates the need to rotate the pallet being wrapped. For use in-line with the rest of the packaging line. We can implement the machinery for you for your products and needs. Levels of automation based on long experience, extension possibilities and a large number of settings give this new series of stretch wrappers a high profit-ability through optimal adaptation to every need. These properties guarantee a good protection and transport packaging as well as the lowest possible material cost, i.e. a low consumption of stretch film.

CTA 1100 is delivered programmed according to Your needs. Equipment such as conveyors or lifting tables can be controlled by one and the same graphic touch-panel.

Easy to operate

- Controls are easy to understand.
- Fast and simple film roll change.
- Automatic load height sensor.
- Mechanics – easy to serve.

Saves money

- Pre-stretch ratio is now adjustable up to 400%. Patent approved system, **POWER ECOSTRETCH⁺**
- The chosen prestretch ratio stays constant, which guarantees a consistent low film, consumption, load after load.
- Film carriage speed is individually adjustable to minimize film overlap.
- Motorized prestretch device minimizes film consumption and protects delicate goods.

Consistent packaging result

- Flexible setting possibilities enable optimum packaging for a variety of goods.

- The film tension is automatically controlled which gives an even cover around the goods.
- Several standard patterns are available, e.g. with top sheet for protection against water.
- 3 programs are factory preset.
- 15 individual programs can be stored and each program can be named.

Key features

- Easy change of all program parameters and settings.
- All functions can be manually operated.

The display will show the following information:

- Film consumption for the last pallet.
- Total number of wrapped pallets after latest reset.
- Film cost per pallet.
- Graphic overview of sensor status.

NEW upgraded touch display with advanced functions



The graphic interface was developed for easy change of the program parameters as well as for easy access of information.

The graphic overview of sensor status is one of the new features which are helpful in case of troubleshooting.

WWW.CYKLOPTEKNIK.SE

CYKLOP TEKNIK AB
Villstadsvägen 1
333 77 BURSERYD
SWEDEN
info@cykloptechnik.se